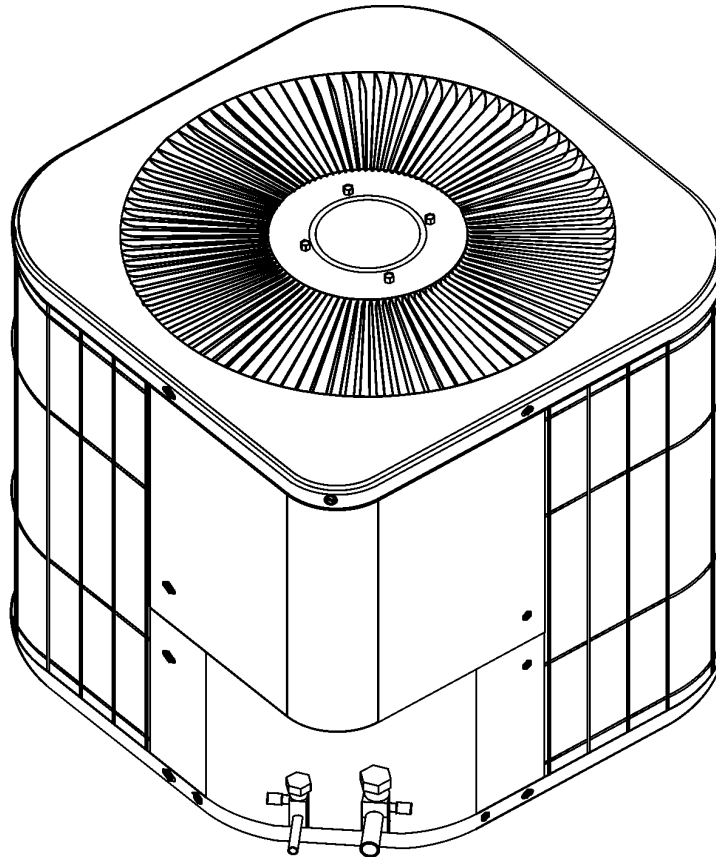


REPAIR PARTS

CPKH Remote Heat Pumps

CPKH18-1
CPKH24-1
CPKH30-1
CPKH36-1
CPKH42-1
CPKH48-1
CPKH60-1



Goodman Manufacturing Company, L.P.
5151 San Felipe, Suite 500
Houston, TX 77056

www.goodmanmfg.com



RP-192C
May 2008

Important Information

Index

Functional Parts List	3
Illustration and Parts	4 - 5

Views shown are for parts illustrations only, not servicing procedures.

Text Codes:

AR - As Required

NA - Not Available

NS - Not Shown

00000000 - See Note

QTY - Quantity Example (QTY 3) (If Quantity not shown, Quantity = 1)

M - Model Example (M1) (If M Code not shown, then part is used on all Models)

Expanded Model Nomenclature:

Example M1 - Model#1 M2 - Model#2 M3 - Model#3

Goodman Manufacturing Company, L.P. is not responsible for personal injury or property damage resulting from improper service. Review all service information before beginning repairs.

Warranty service must be performed by an authorized technician, using authorized factory parts. If service is required after the warranty expires, Goodman Manufacturing Company, L.P. also recommends contacting an authorized technician and using authorized factory parts.

Goodman Manufacturing Company, L.P. reserves the right to discontinue, or change at any time, specifications or designs without notice or without incurring obligations.

For assistance within the U.S.A. contact:
Consumer Affairs Department
Goodman Manufacturing Company, L.P.
7401 Security Way
Houston, Texas 77040
877-254-4729-Telephone
713-863-2382-Facsimile

For assistance outside the U.S.A. contact:
International Division
Goodman Manufacturing Company, L.P.
7401 Security Way
Houston, Texas 77040
713-861-2500-Telephone
713-863-2382-Facsimile

Functional Parts

Part

No: **Description:**

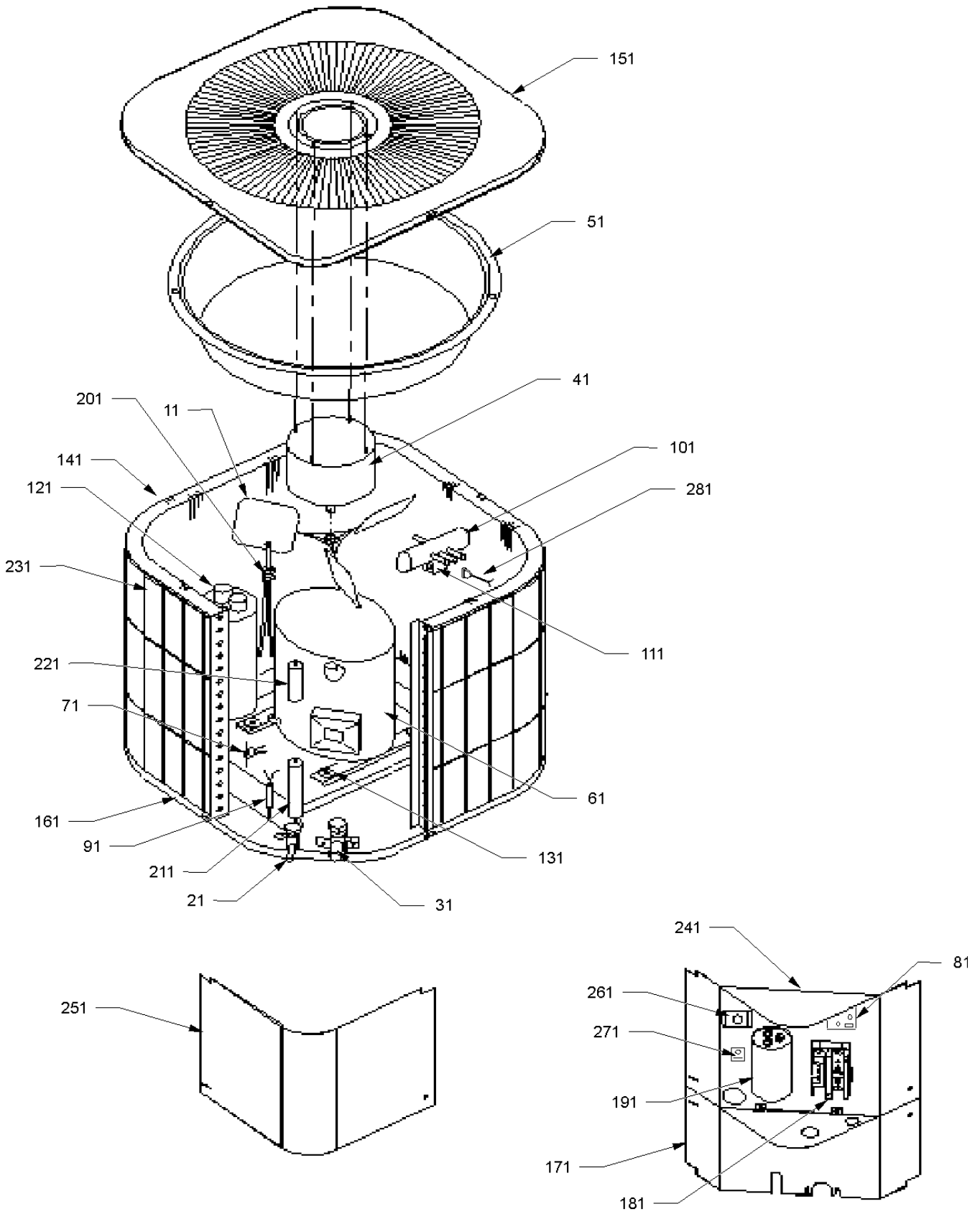
CAP050300370RSS	CAPACITOR 5/30/370V (M1, M2)
CAP050350370RSS	CAPACITOR 5/35/370V (M3)
CAP050450370RSS	CAPACITOR 5/45/370V (M4, M5, M6)
CAP050800370RTS	CAPACITOR 5/80/370V (M7)
ZR54K3PFV930	COMPRESSOR 55000, 208/230/60/1 (M7)
B9266672	COMPRESSOR CR42K6PFV270 208/230-60-1 (M6)
B9266833AS	COMPRESSOR H22B28QABCA 208/230-60-1 (M2)
CR38K6PFV960	COMPRESSOR H25A38QCBCA (706349-1501-00) (M5)
CR18K6PFV960	COMPRESSOR H25B17QABCA 208/230-60-1 (M1)
CR30K6PFV960	COMPRESSOR H27A28QCBCA (706873-1501-00) (M3)
CR35K6PFV960	COMPRESSOR H27A32QCBCA (706920-1501-00) (M4)
CONT1P030024VS	CONTACTOR 30 AMP, 1P, 24V (M5, M6)
CONT2P030024VS	CONTACTOR 30 AMP, 2P, 24V
CONT2P040024VS	CONTACTOR 40 AMP, 2P, 24V (M7)
PCBDM101S	DEFROST CONTROL BOARD
B1370803	DEFROST THERMOSTAT T.I. #3NT11L-1201
B1360719	LOW PRESSURE SWITCH T.I. 320-PS025GA025E007C

SPECIAL PARTS

RP-192C REPAIR PARTS MANUAL

Expanded Model Nomenclature

M1 - CPKH18-1
M2 - CPKH24-1
M3 - CPKH30-1
M4 - CPKH36-1
M5 - CPKH42-1
M6 - CPKH48-1
M7 - CPKH60-1



Ref. Part No:	Part No:	Description:	Ref. Part No:	Part No:	Description:
<i>Image 1:</i>			171	1787717P	ACCESS PANEL 37.5" (M6)
11	B1086756S	FAN BLADE 18", 3 BLADE, 29°P (M1, M2)	171	1787718P	ACCESS PANEL 40" (M7)
11	B1086750S	FAN BLADE 22", 3 BLADE, 24°P (M3, M4, M5, M6, M7)	181	CONT1P030024VS	CONTACTOR 30 AMP, 1P, 24V (M5, M6)
21	20163801S	3/8" SERVICE VALVE	181	CONT2P030024VS	CONTACTOR 30 AMP, 2P, 24V
31	B1282566	3/4" SERVICE VALVE (M1, M2, M3, M4)	181	CONT2P040024VS	CONTACTOR 40 AMP, 2P, 24V (M7)
31	B12825167	7/8" SERVICE VALVE (M5, M6, M7)	191	CAP050300370RSS	CAPACITOR 5/30/370V (M1, M2)
41	0131M00007PS	COND MOTOR 1/4 HP, 1 SP, 8 PL (M3, M4, M5, M6, M7)	191	CAP050350370RSS	CAPACITOR 5/35/370V (M3)
41	B13400251S	COND MOTOR 1/6 HP, 1 SP, PSC (M1, M2)	191	CAP050450370RSS	CAPACITOR 5/45/370V (M4, M5, M6)
51	1587815	VENTURI (M4, M5, M6, M7)	191	CAP050800370RTS	CAPACITOR 5/80/370V (M7)
61	ZR54K3PFV930	COMPRESSOR 55000, 208/230/60/1 (M7)	201	B1314341	FLOWRATOR .041 (M1)
61	B9266672	COMPRESSOR CR42K6PFV270 208/230-60-1 (M6)	201	B1313349	FLOWRATOR .049 (M2)
61	B9266833AS	COMPRESSOR H22B28QABCA 208/230-60-1 (M2)	201	B1313352	FLOWRATOR .052 (M3)
61	CR38K6PFV960	COMPRESSOR H25A38QCBCA (706349-1501-00) (M5)	201	B1314359	FLOWRATOR .059 (M4)
61	CR18K6PFV960	COMPRESSOR H25B17QABCA 208/230-60-1 (M1)	201	B1313362	FLOWRATOR .062 (M5, M6)
61	CR30K6PFV960	COMPRESSOR H27A28QCBCA (706873-1501-00) (M3)	201	B1313376	FLOWRATOR .076 (M7)
61	CR35K6PFV960	COMPRESSOR H27A32QCBCA (706920-1501-00) (M4)	211	B1219225	SINGLE-FLOW FILTER DRIER, STEEL
71	B1370803	DEFROST THERMOSTAT T.I. #3NT11L-1201	221	B1219301	1/2" MUFFLER PARKER #P54801-02 (M3, M5, M6, M7)
81	PCBDM101S	DEFROST CONTROL BOARD	221	B1219300	MUFFLER 3/8 X 3/8 (M1, M2, M4)
91	B1360719	LOW PRESSURE SWITCH T.I. 320-PS025GA025E007C	231	B1259527	INLET GRILLE 27.5" SML (M1)
101	B1227314S	REVERSING VALVE (M1)	231	B1259630	INLET GRILLE 30.0" LRG (M4, M5)
101	B1227316S	REVERSING VALVE (M2, M3, M4)	231	B1259525	INLET GRILLE 30.0" LRG (M2)
101	B1227317S	REVERSING VALVE (M5, M6, M7)	231	B1259530	INLET GRILLE 35.0" LRG (M3)
111	B1225017	REVERSING VALVE SOLENOID 24V COIL	231	B1259637	INLET GRILLE 37.5" LRG (M6)
121	B1226205	ACCUMULATOR PARKER #089038-00 (M1)	231	B1259640	INLET GRILLE 40.0" LRG (M7)
121	B1226206	ACCUMULATOR PARKER #089039-00 (M2, M3, M4)	241	1787623	CONTROL BOX
121	B1226207	ACCUMULATOR PARKER #089119-00 (M5, M6, M7)	251	1787624P	CONTROL BOX COVER
131	B1339530	COMPRESSOR GROMMET (M1, M2, M3, M4, M6)	261	B1141658	START ASSIST (305C9L01) 10 OHMS (M3, M4, M5, M6)
131	B1339533	COMPRESSOR GROMMET (M5, M7)	271	B1370758	TIME DELAY (180 SEC) 24V (M7)
141	1260430	TUBING ASSY, COND COIL (M2)	281	B1225021	SOLENOID COIL CORD (ALCO)
141	1262202	TUBING ASSY, COND COIL (M1)	NS	B260S8291	SPRAY PAINT (HIGH GLOSS BAHAMA BEIGE)
141	1262224	TUBING ASSY, COND COIL (M6)	Expanded Model Nomenclature		
141	1262227	TUBING ASSY, COND COIL (M7)	M1 - CPKH18-1		
141	1284425	TUBING ASSY, COND COIL (M3)	M2 - CPKH24-1		
141	1284630	TUBING ASSY, COND COIL (M4, M5)	M3 - CPKH30-1		
151	1779405P	TOP PANEL (M1, M2)	M4 - CPKH36-1		
151	1779415P	TOP PANEL (M3, M4, M5, M6, M7)	M5 - CPKH42-1		
161	1787208P	BOTTOM PAN ASSY (M3, M4, M5, M6, M7)	M6 - CPKH48-1		
161	1787209P	FORMED BOTTOM PAN (M1, M2)	M7 - CPKH60-1		
171	1787707P	ACCESS PANEL 25" (M2, M3)			
171	1787709P	ACCESS PANEL 30" (M4, M5)			
171	1788708P	ACCESS PANEL 32.0" (M1)			